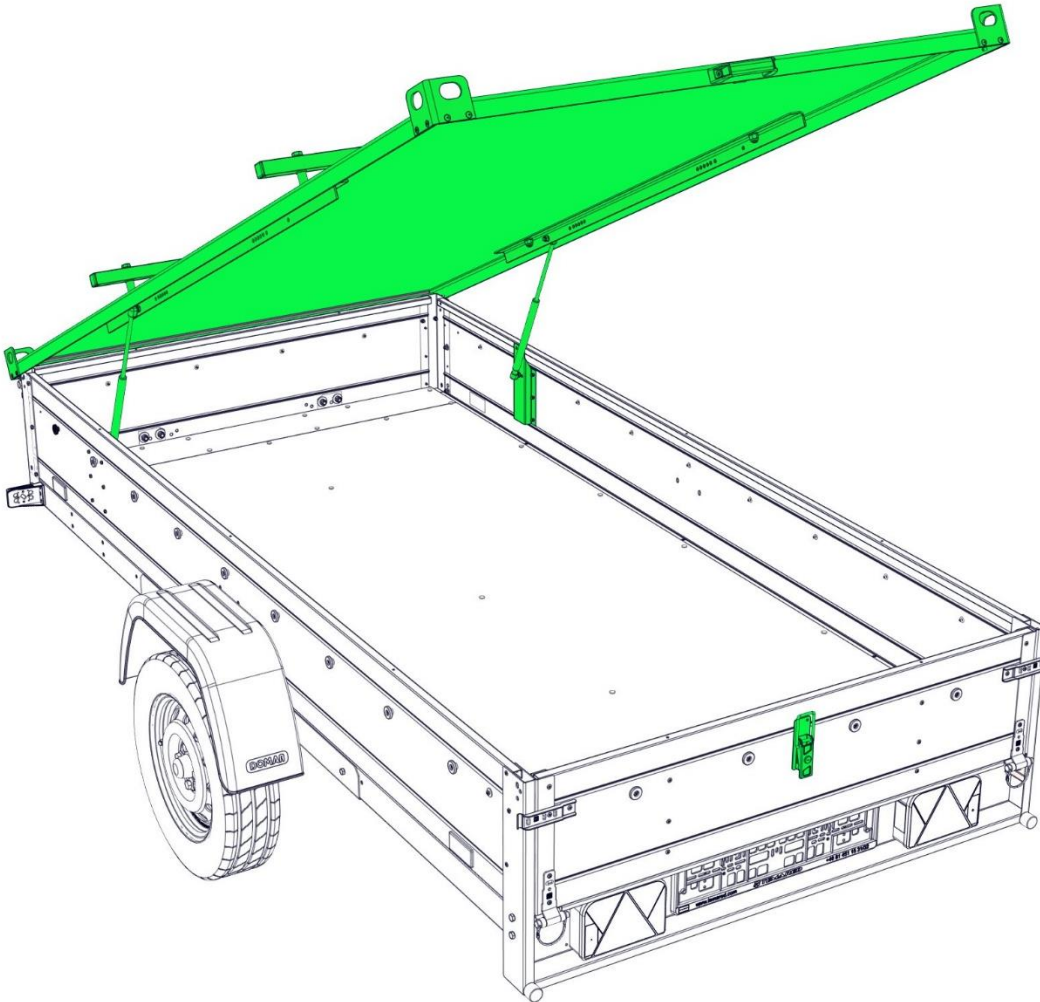
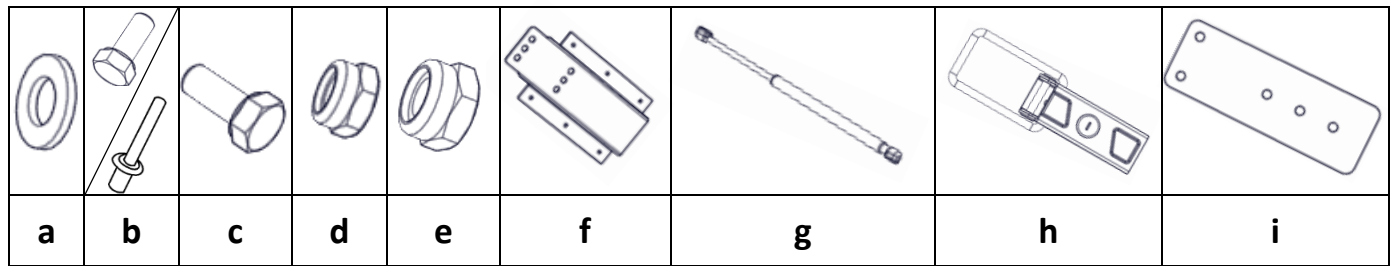


**INS-M_DT/2022_11/ALUMINIUM COVER
INSTALLATION**
**NUMBER OF PAGES:
8**


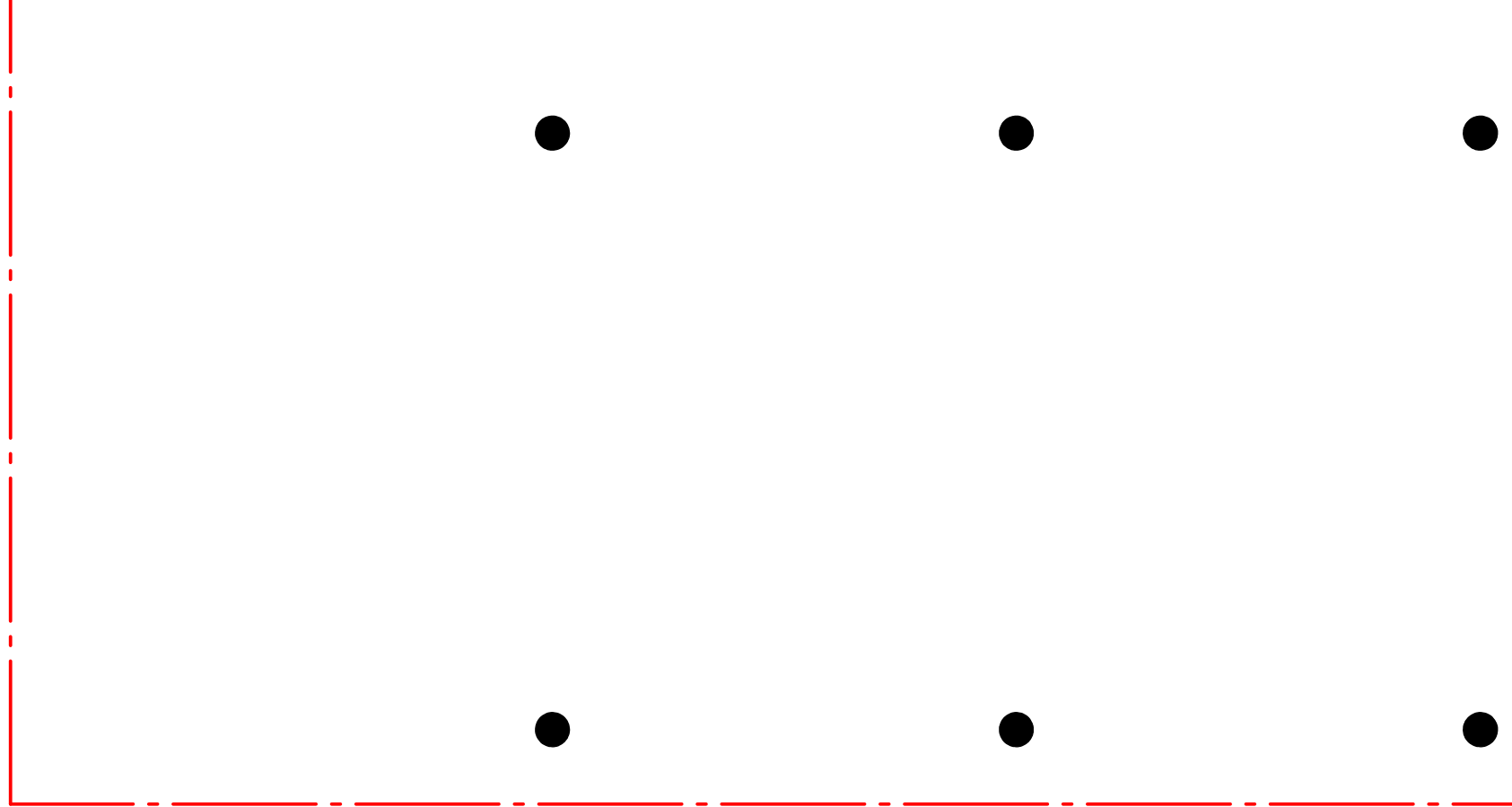
View 1. Example cover 514.800.00.00 on trailer 2612

For Covers:	Trailer model
510.800.00.00	1510
511.800.00.00	2010
512.800.00.00	2012
513.800.00.00	2312
514.800.00.00	2612



Index	Name	Quantity
a	Washer 5 DIN 9021	17
b	Bolt M5x16 DIN 85 / Rivet 4,8x8 STL_STL PN 8297	17 / 17
c	Bolt M6x16 DIN 933	4
d	Nut M5 DIN 985	17
e	Nut M6 DIN 985	4
f	Support 680.800.04.00	2
g	Gas spring	2
h	Lock ZB-13A	1
i	Washer 680.800.00.01	1

Index	Tools
1	Wrench 8mm
2	Wrench 10mm [2pcs]
3	Drill
4	Drill bit Ø 5.2
5	Drill bit Ø 6.5
6	Yardstick
7	Scissors
8	Riveter
9	Screwdriver

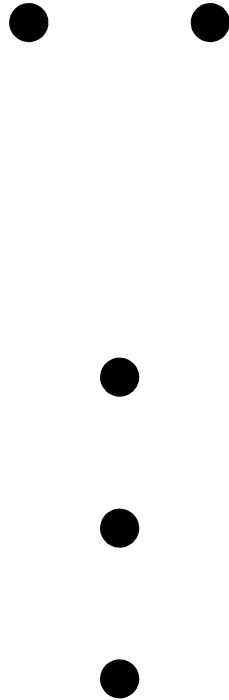


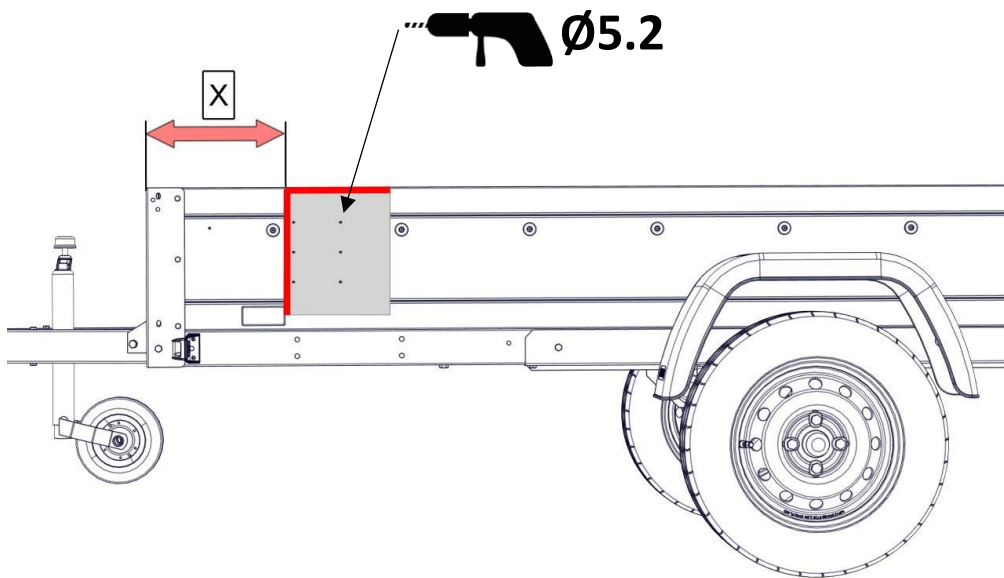
100mm



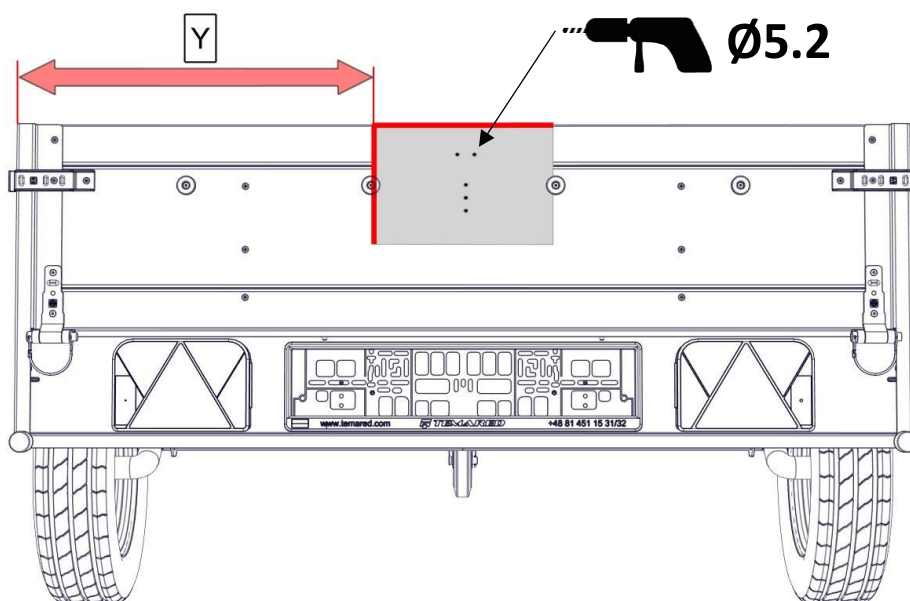
100mm

4





View 2



View 3



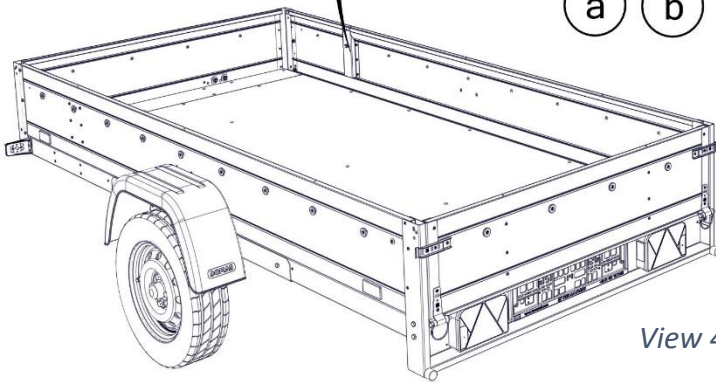
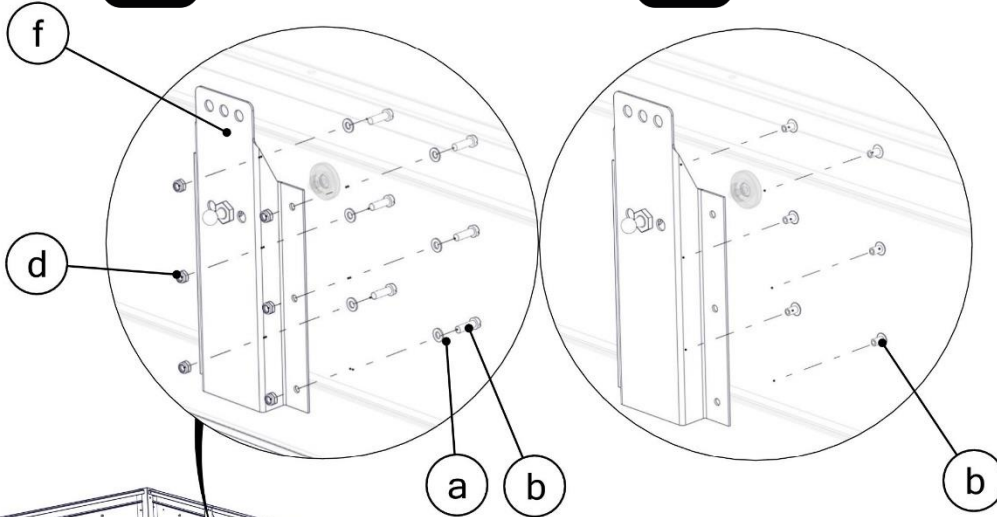
Trailer model	Dimension [mm]	
	X	Y
1510	232	430
2010	331	430
2012	331	526
2312	433	526
2612	475	526



BOLTS M5x16



RIVETS 4,8



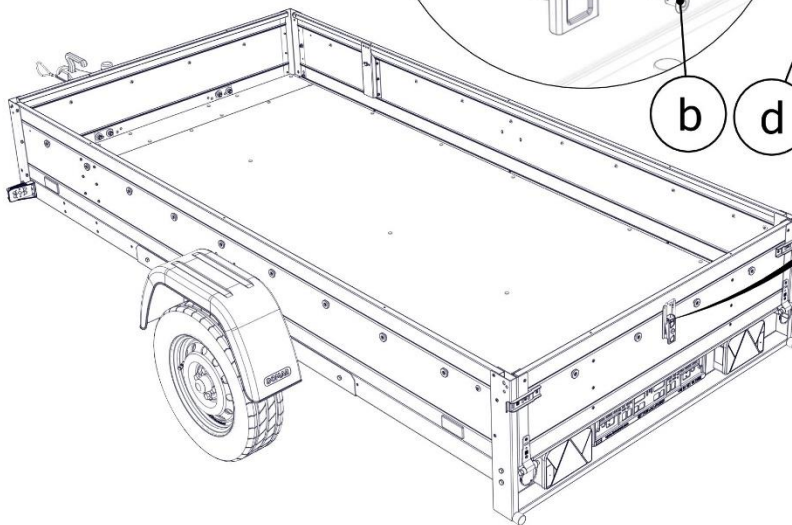
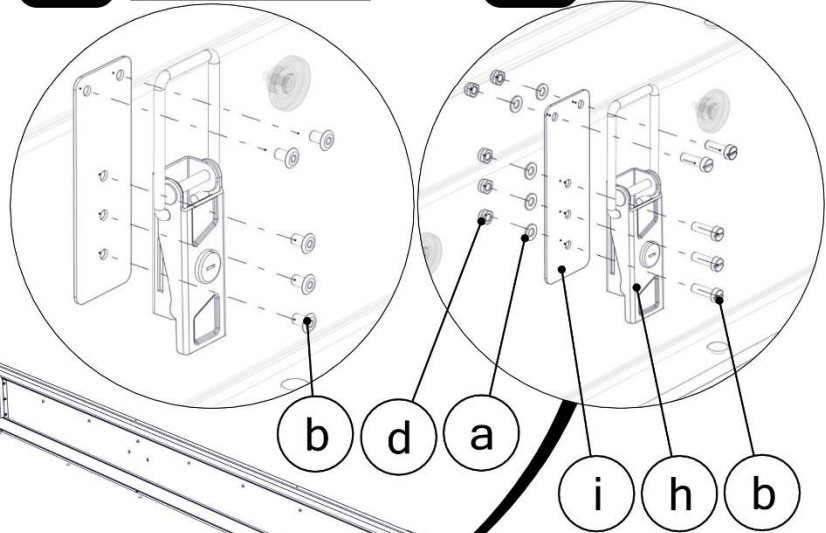
View 4



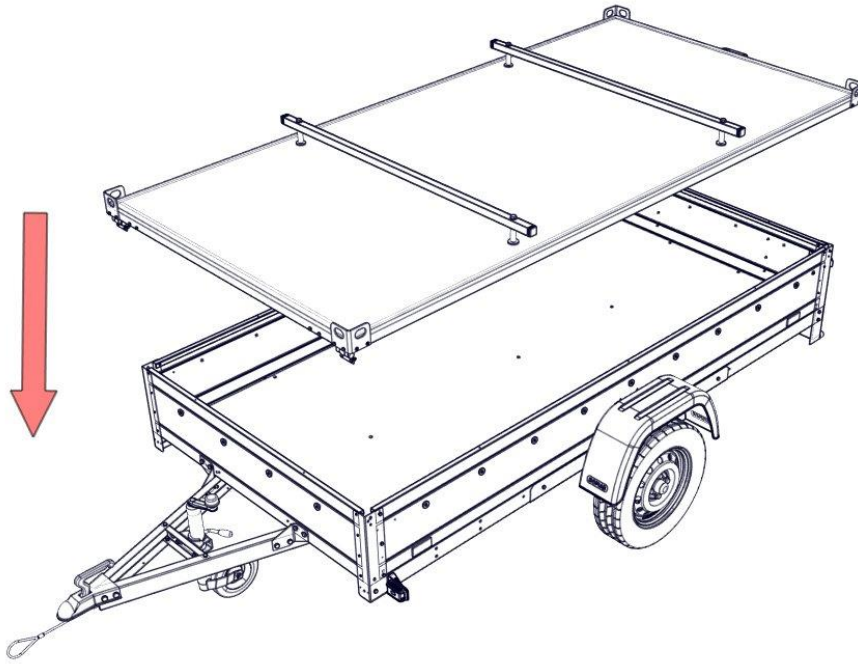
RIVETS 4,8



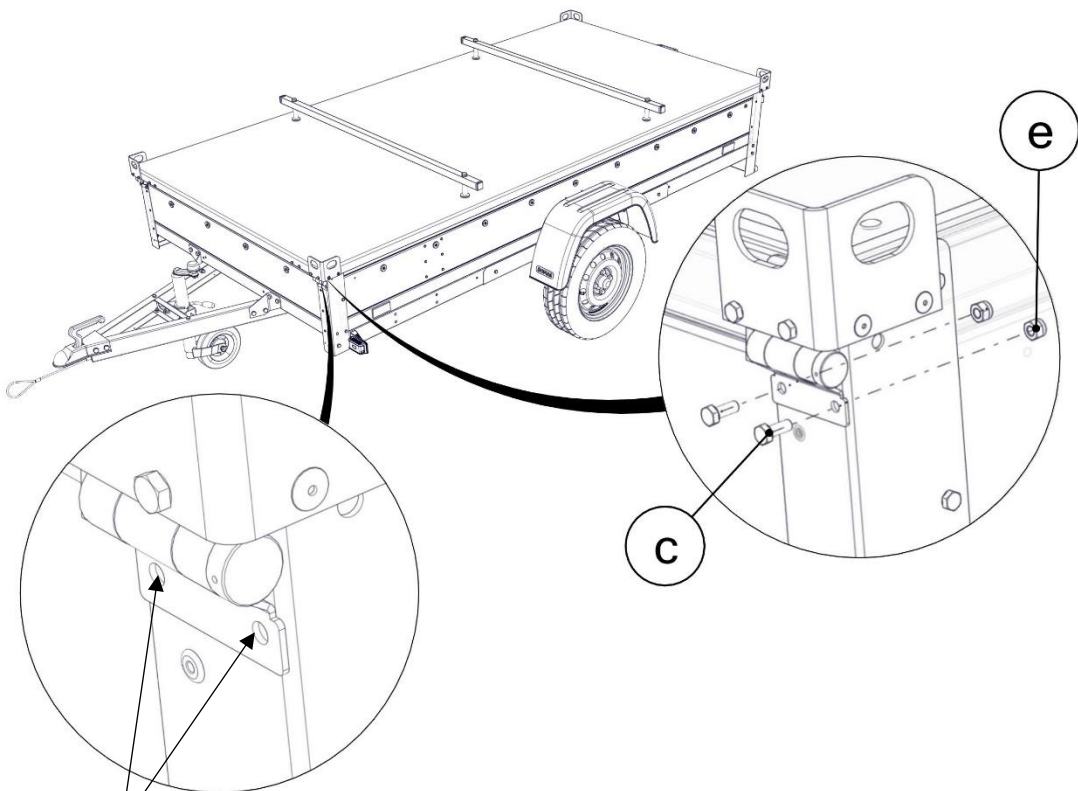
BOLTS M5x16



View 5

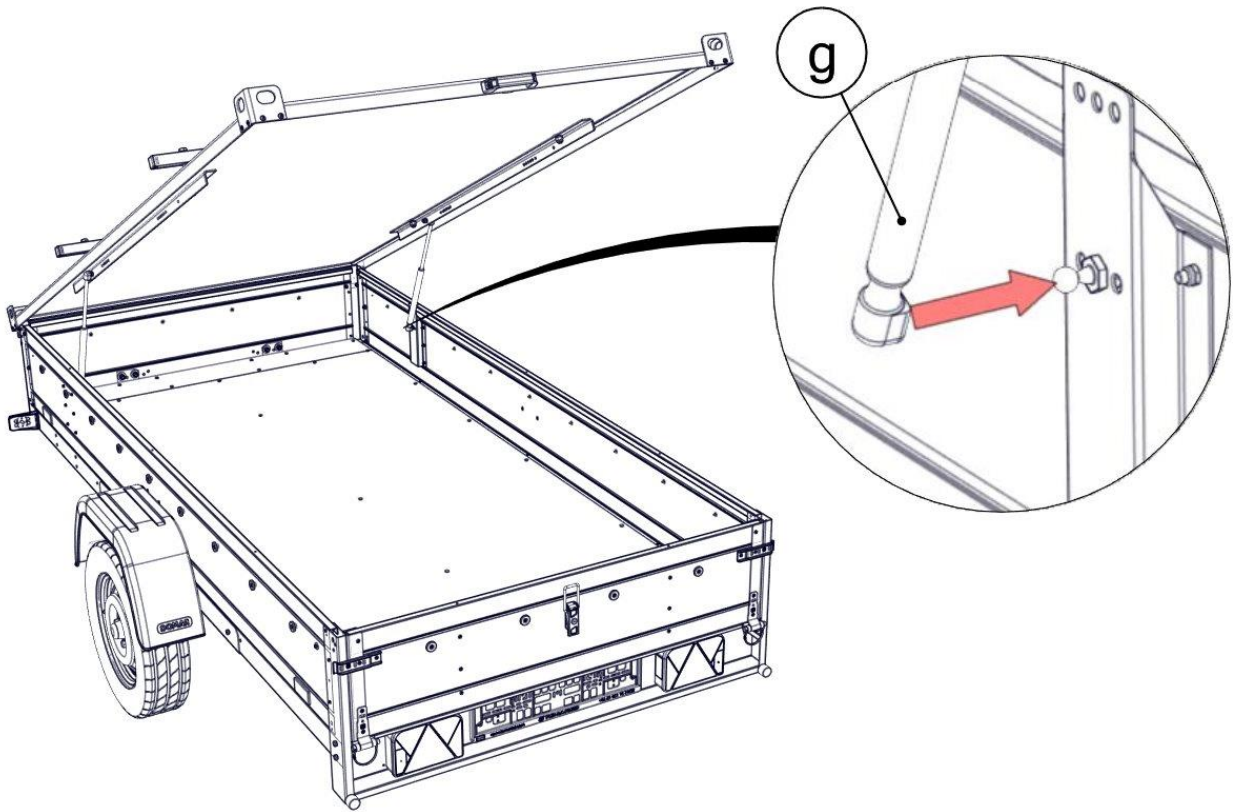


View 6



Ø6.5 

View 7



View 8