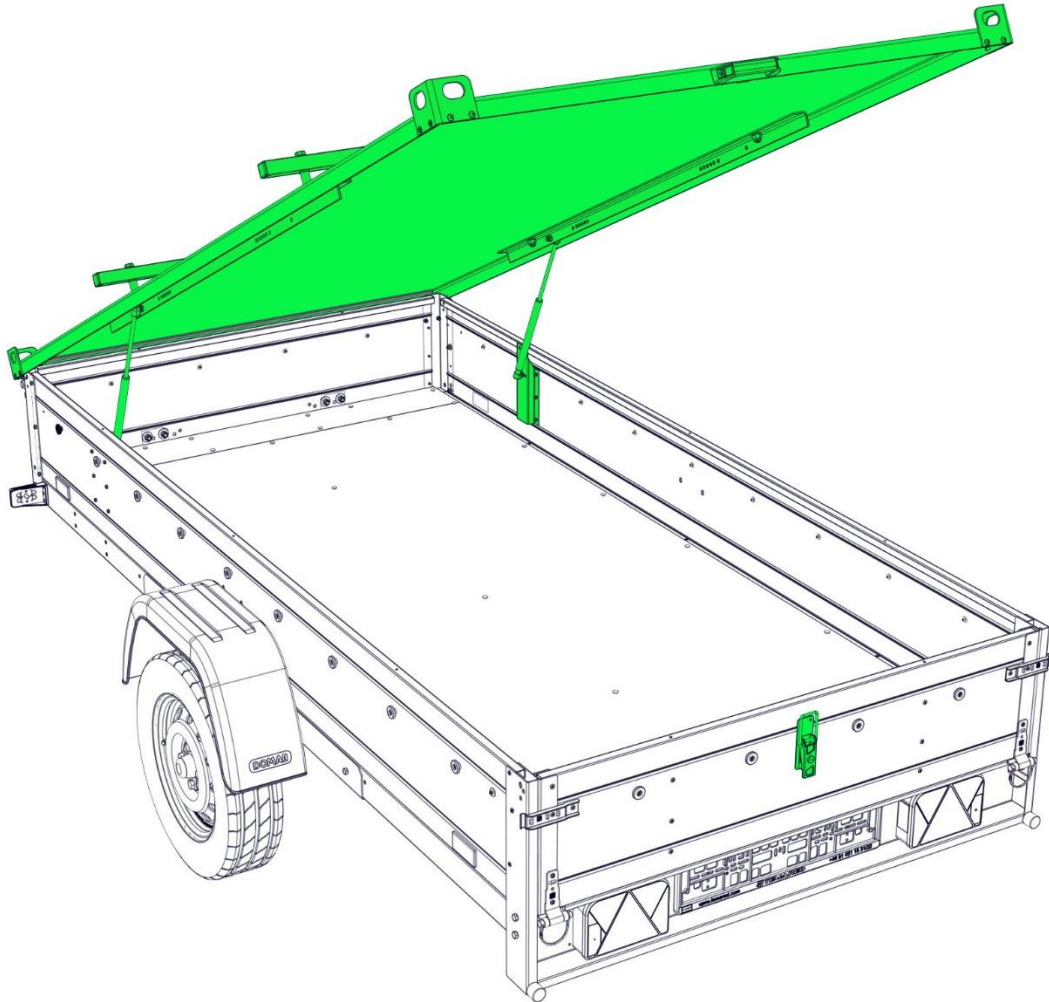
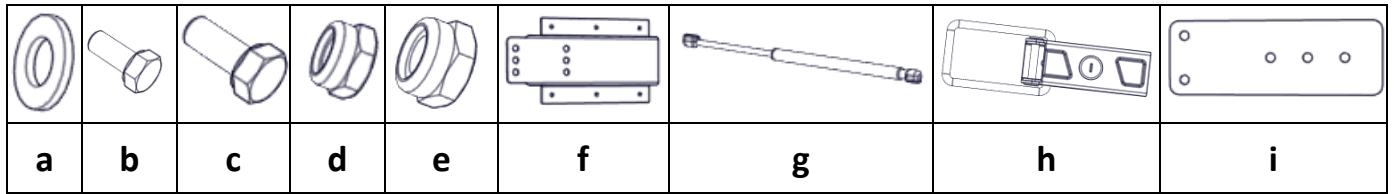


**INS-M_DT/2022_11/ALUMINIUM COVER
INSTALLATION**
**NUMBER OF PAGES:
8**


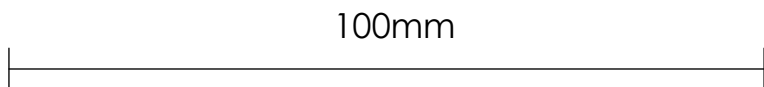
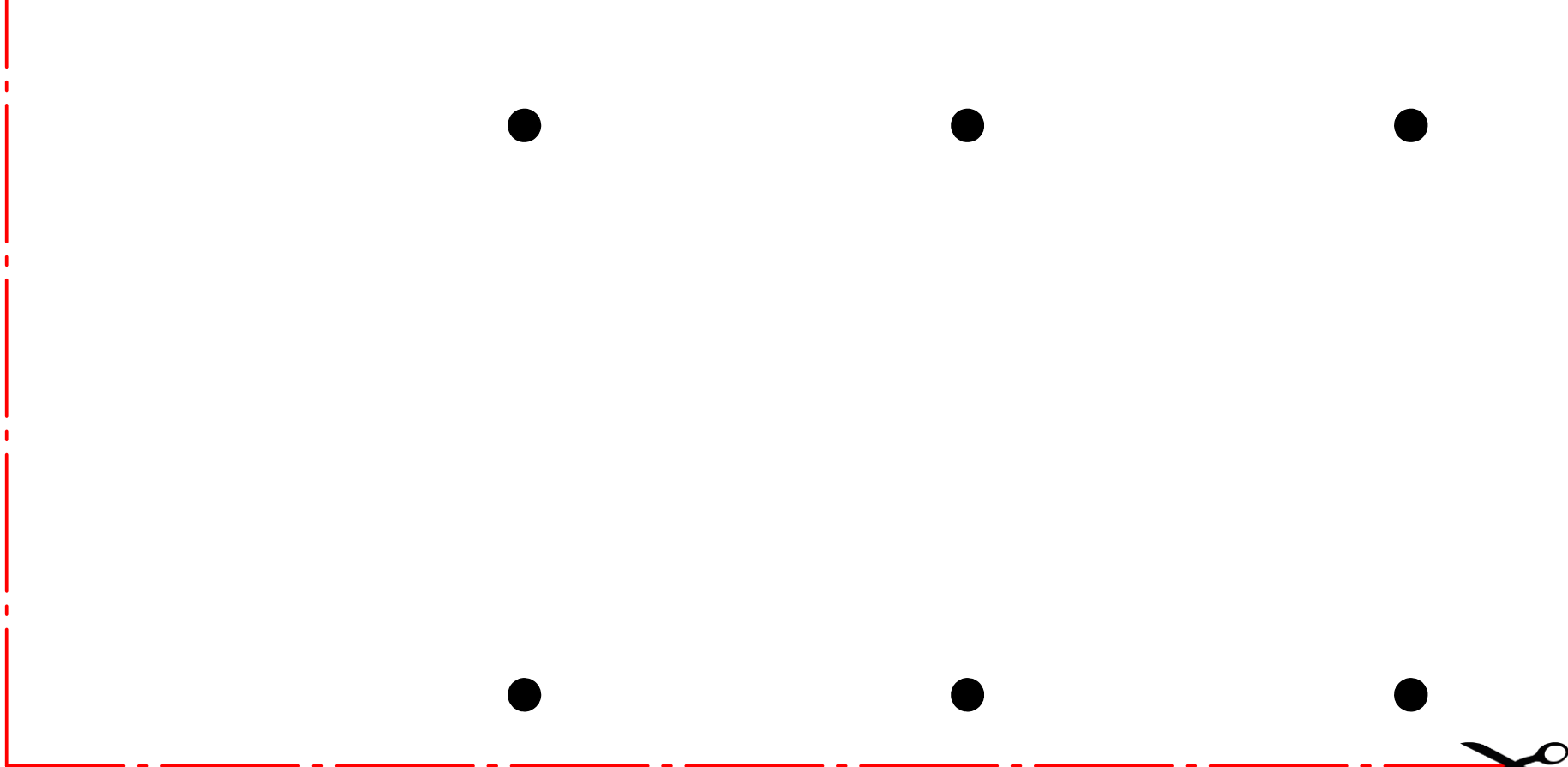
View 1

For Covers:	Trailer model
510.800.00.00	1510
511.800.00.00	2010
512.800.00.00	2012
513.800.00.00	2312
514.800.00.00	2612



Index	Name	Quantity
a	Washer 5 DIN 125	17
b	Bolt M5x12 DIN 933	17
c	Bolt M6x16 DIN 933	4
d	Nut M5 DIN 985	17
e	Nut M6 DIN 985	4
f	Support 680.800.04.00	2
g	Gas spring	2
h	Lock ZB-13A	1
i	Washer 680.800.00.01	1

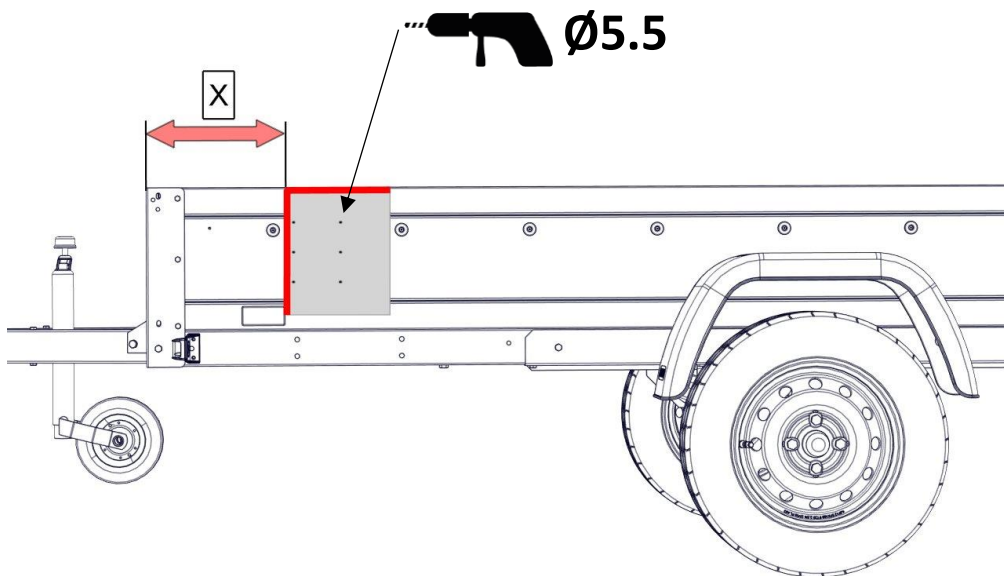
Index	Tools
1	Wrench 8mm [2pcs]
2	Wrench 10mm [2pcs]
3	Drill
4	Drill bit Ø 5.5
5	Drill bit Ø 6.5
6	Yardstick
7	Scissors



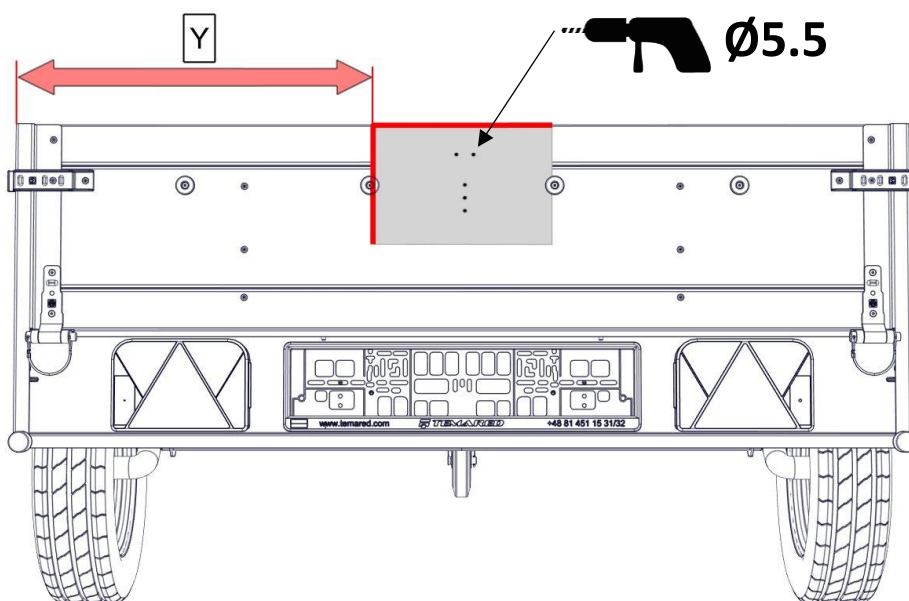


100mm

4



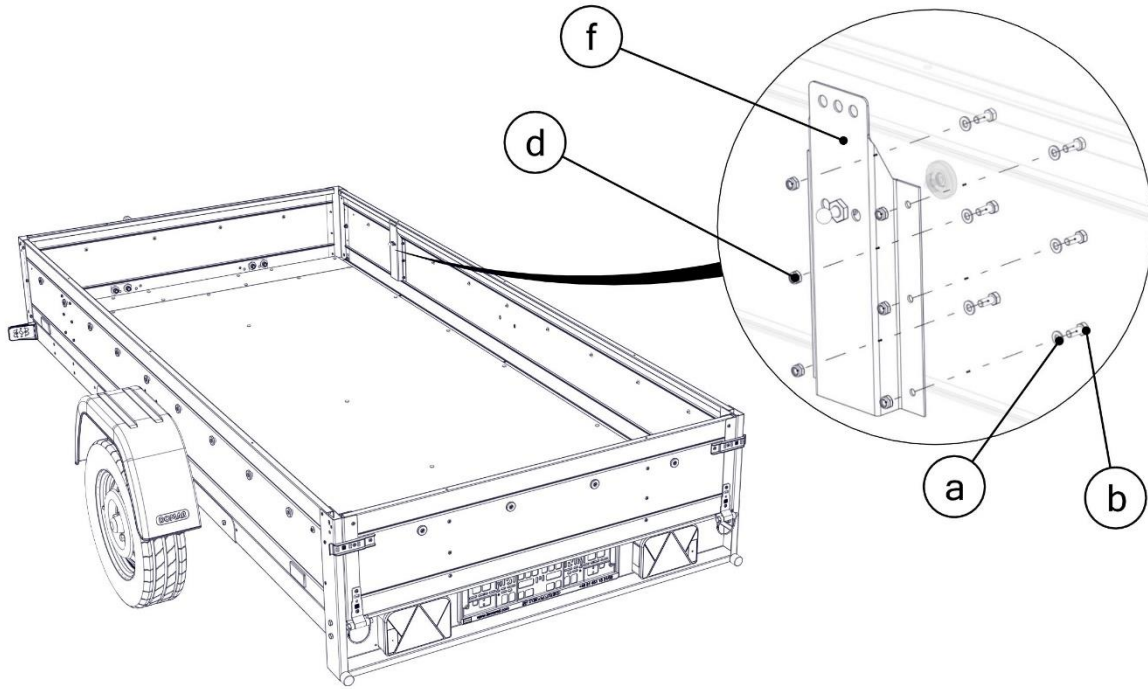
View 2



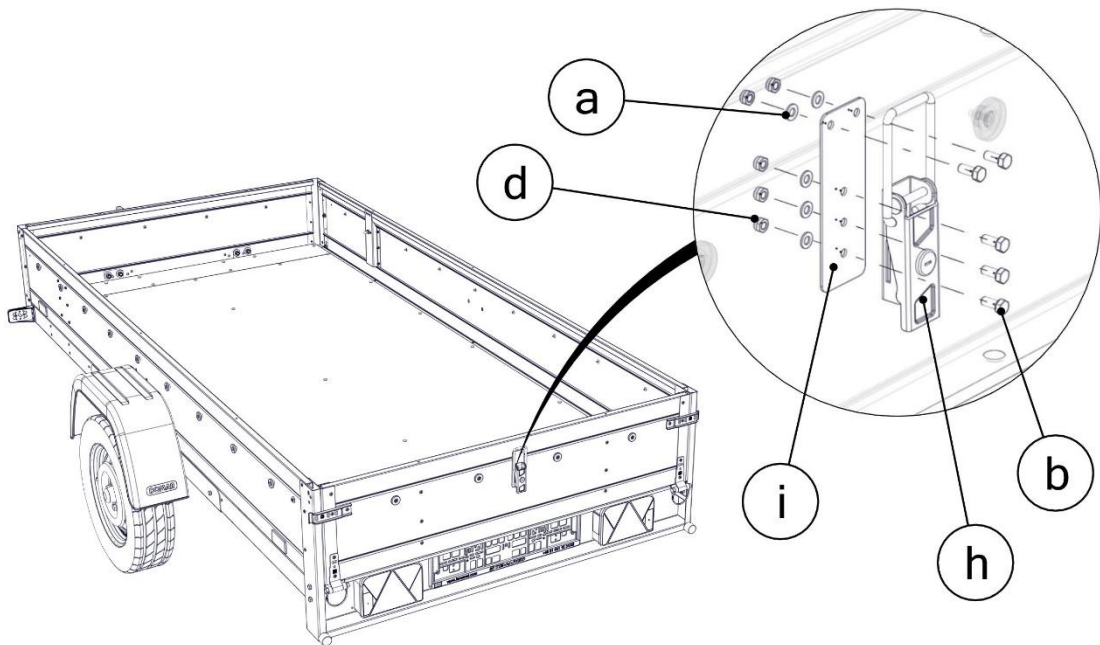
View 3



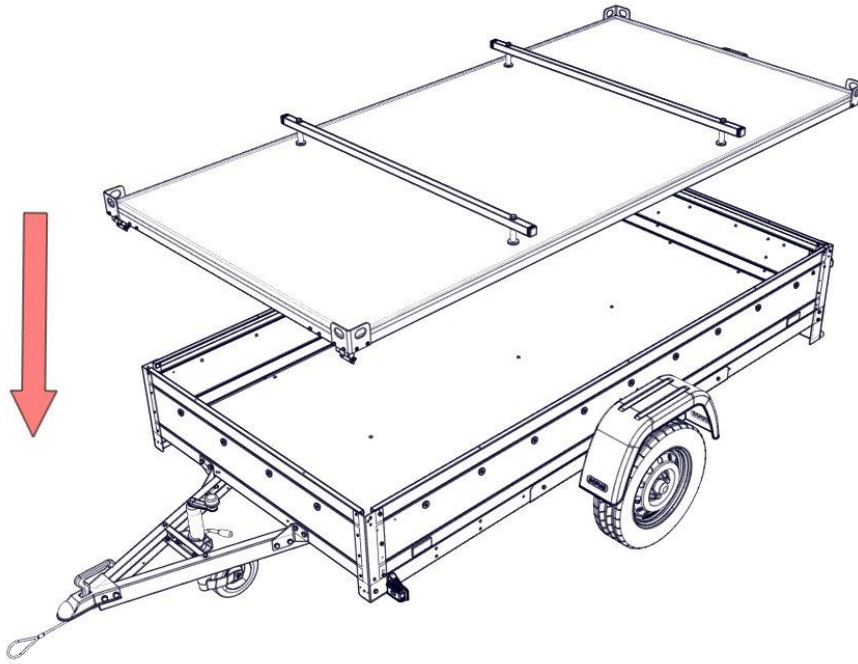
Trailer model	Dimension [mm]	
	X	Y
1510	232	430
2010	331	430
2012	331	526
2312	433	526
2612	475	526



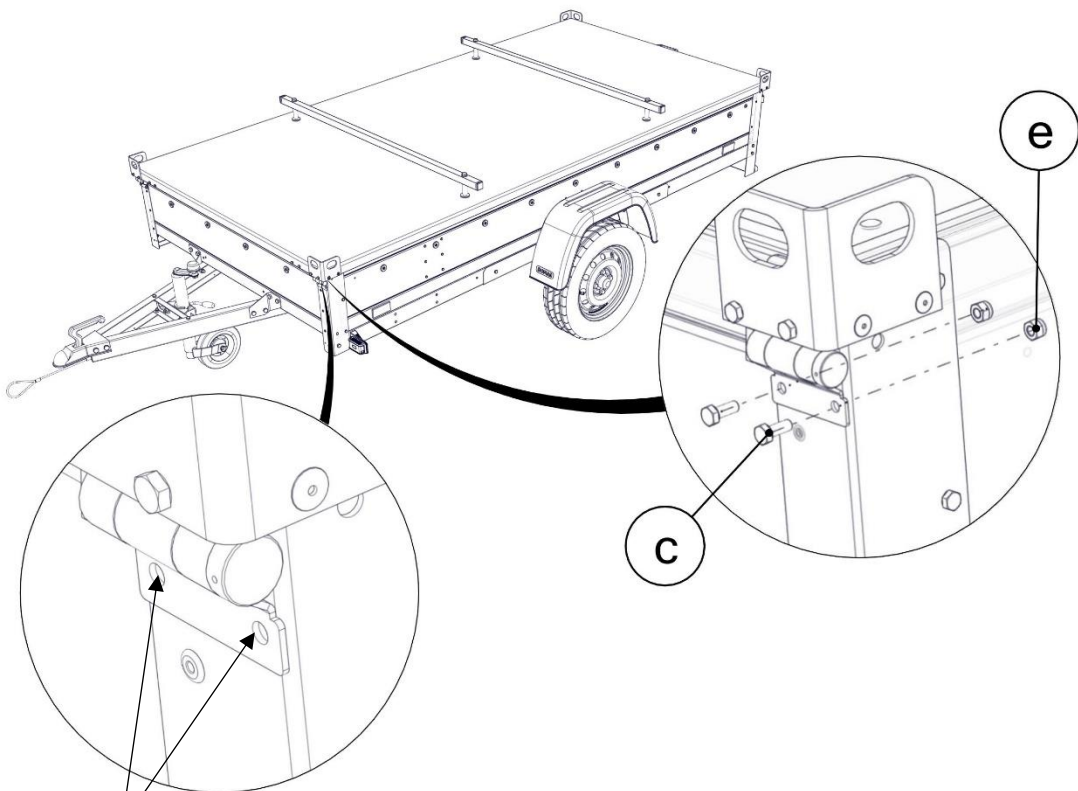
View 4



View 5

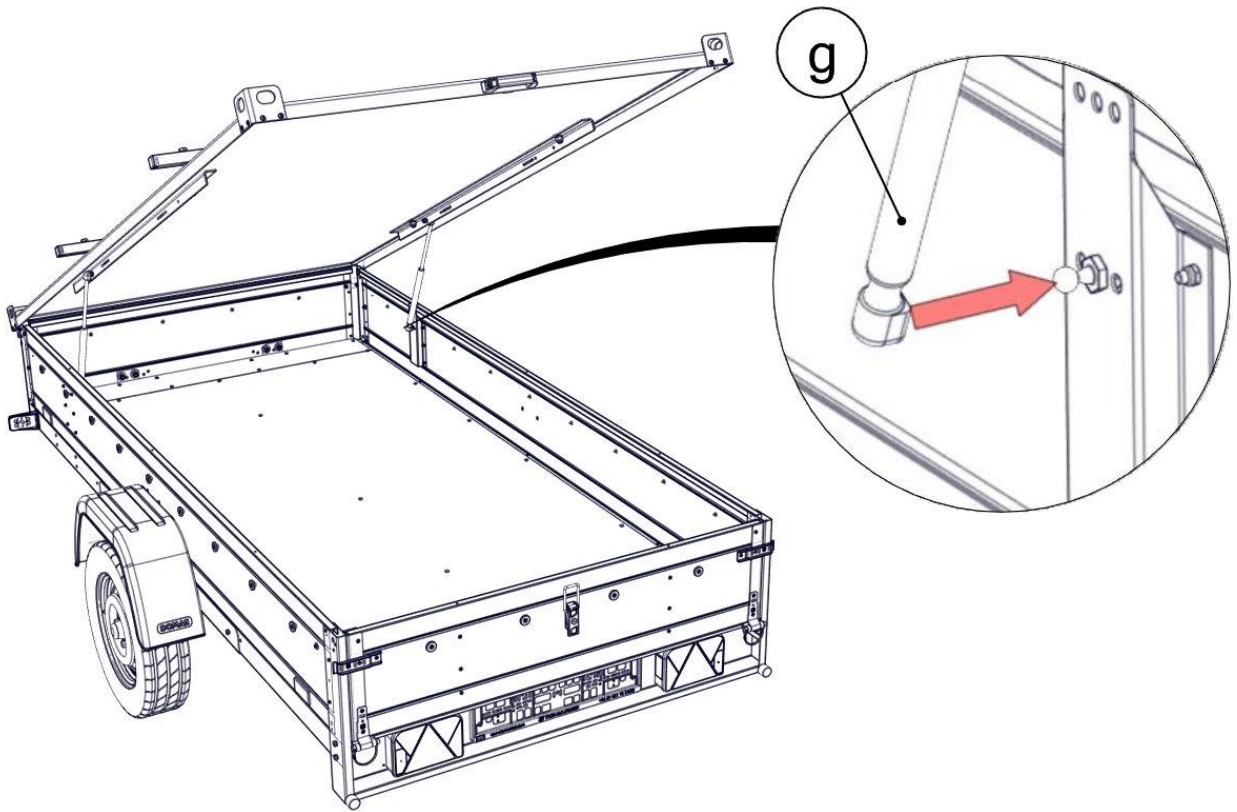


View 6



Ø6.5 

View 7



View 8