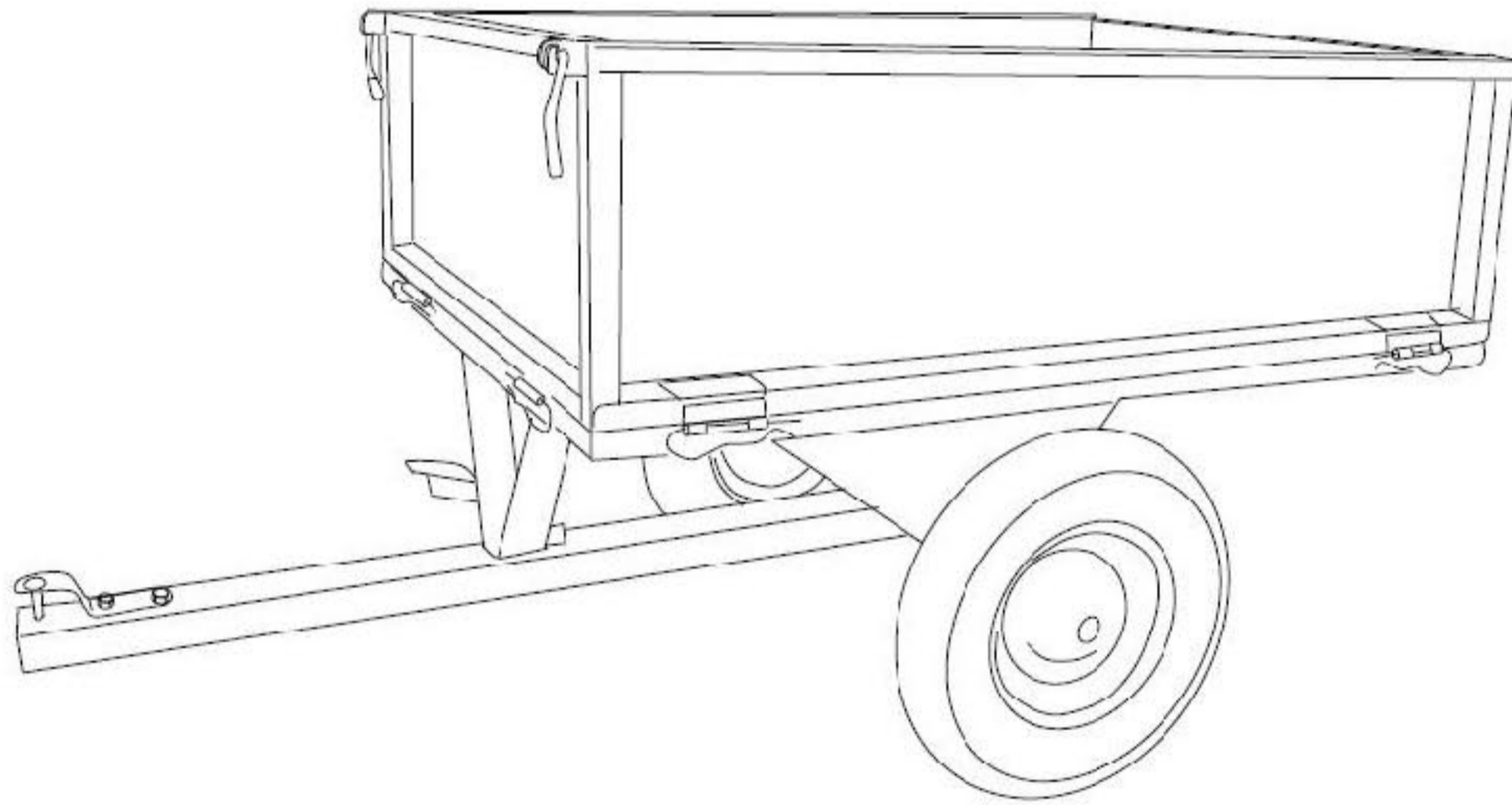
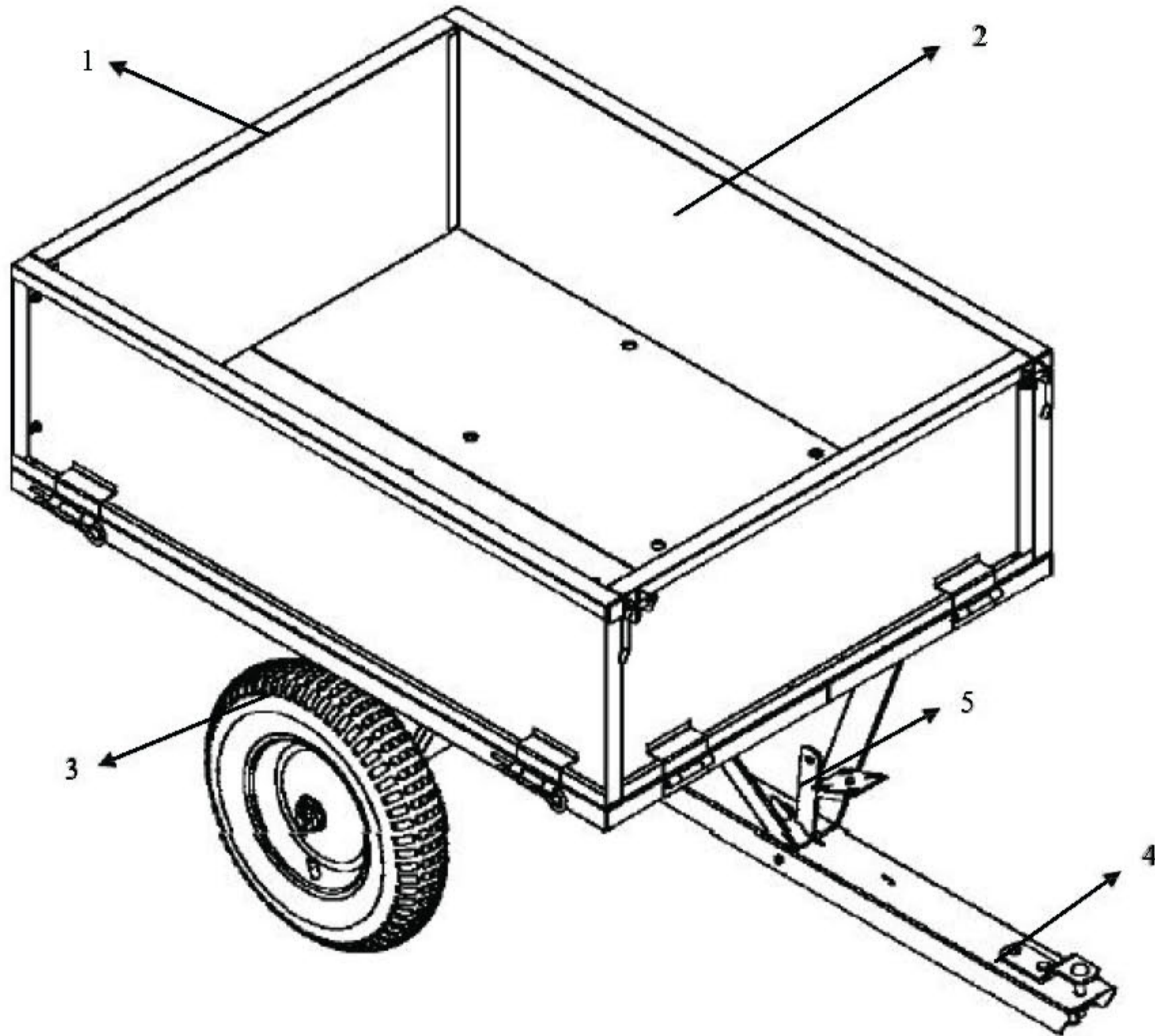


# DUMP CART



## Controls and Features Identification

Read this owner's manual before operating the equipment. Familiarize yourself with the location and function of the controls and features. Save this manual for future reference.



- 1) **Removable Tailgate** – Push up to remove for loading and unloading.
- 2) **Utility Cart Box** – Do not exceed rated load capacity 500lb (225kg).
- 3) **Tyres / Wheel** – Do not exceed the recommended rate.
- 4) **Hitch** – Pin-type design use only with approve vehicles.
- 5) **Release Pedal** – Release the cart bed.



## CAUTION

Read and follow all instructions for assembly and operation. Failure to properly assemble this equipment could result in serious injury to the user or bystanders, or cause equipment damage.

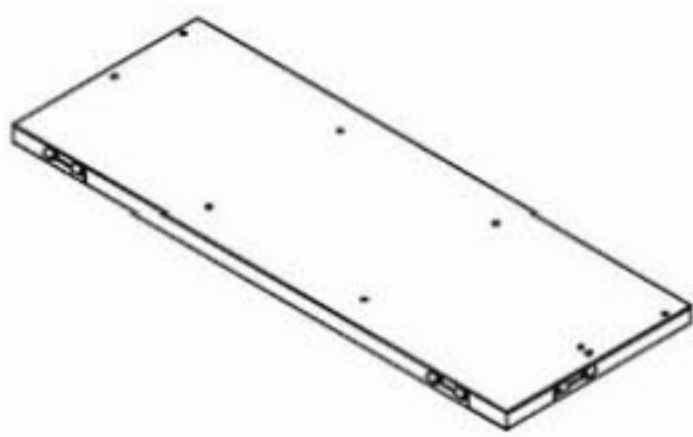
### ABOUT YOUR UTILITY STEEL CART

Take all parts out of the shipping crate and inspect components to ensure there are no missing pieces before starting to assemble the utility steel cart follow steps 1 through 10.

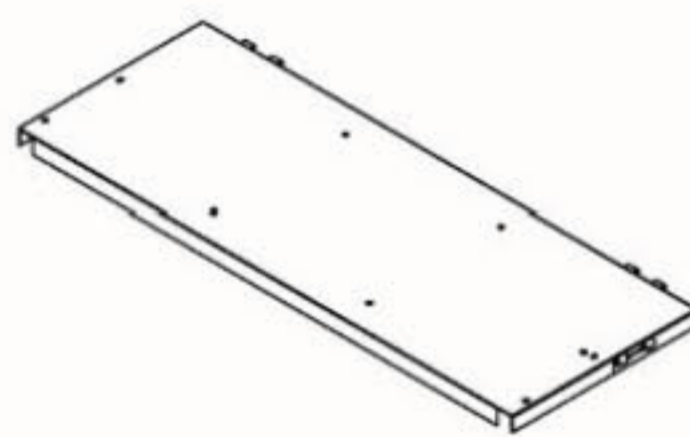
#### TOOLS REQUIRED

- Pliers
- Screw Driver
- 10mm & 13mm Wrench

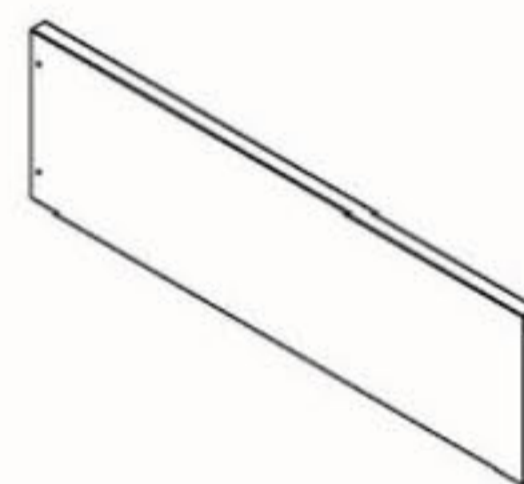
## Component Parts



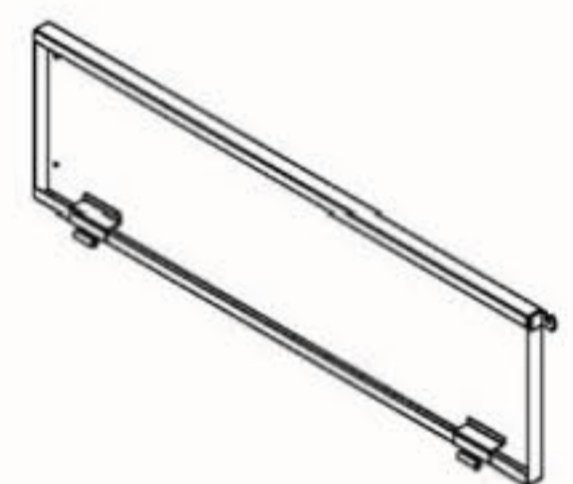
Left Bottom Panel  
1pc



Right Bottom Panel  
1pc



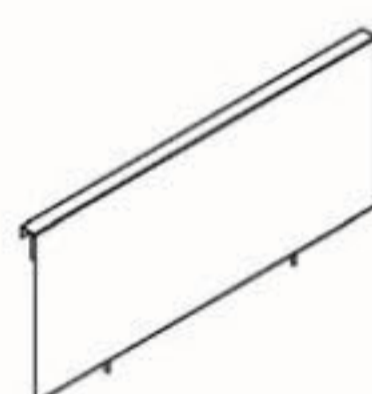
Right Side Panel  
1pc



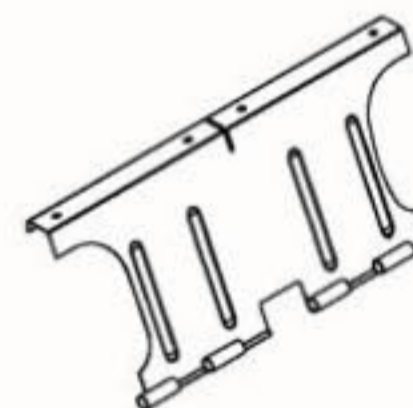
Left Side Panel  
1pc



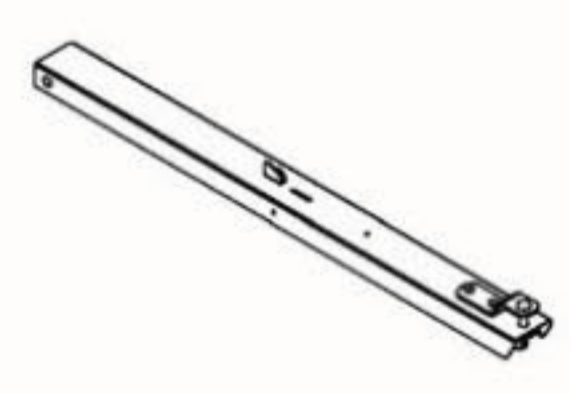
Front Panel  
1pc



Rear Panel  
1pc



Wheel Axle Support  
2pcs



Hitch Tongue



Wheel  
2pcs



Tongue Support  
1pc



Wheel Axle  
1pc



Release Pedal  
1pc

## Component Parts



Hinge Pin  
8pcs



Hex Bolt M6x90  
1pc



R pin  $\varnothing 3$   
2pcs



Flat Washer  $\varnothing 20$   
4pcs



Screw M8x16  
24pcs



Flat Washer  $\varnothing 8$   
24pcs



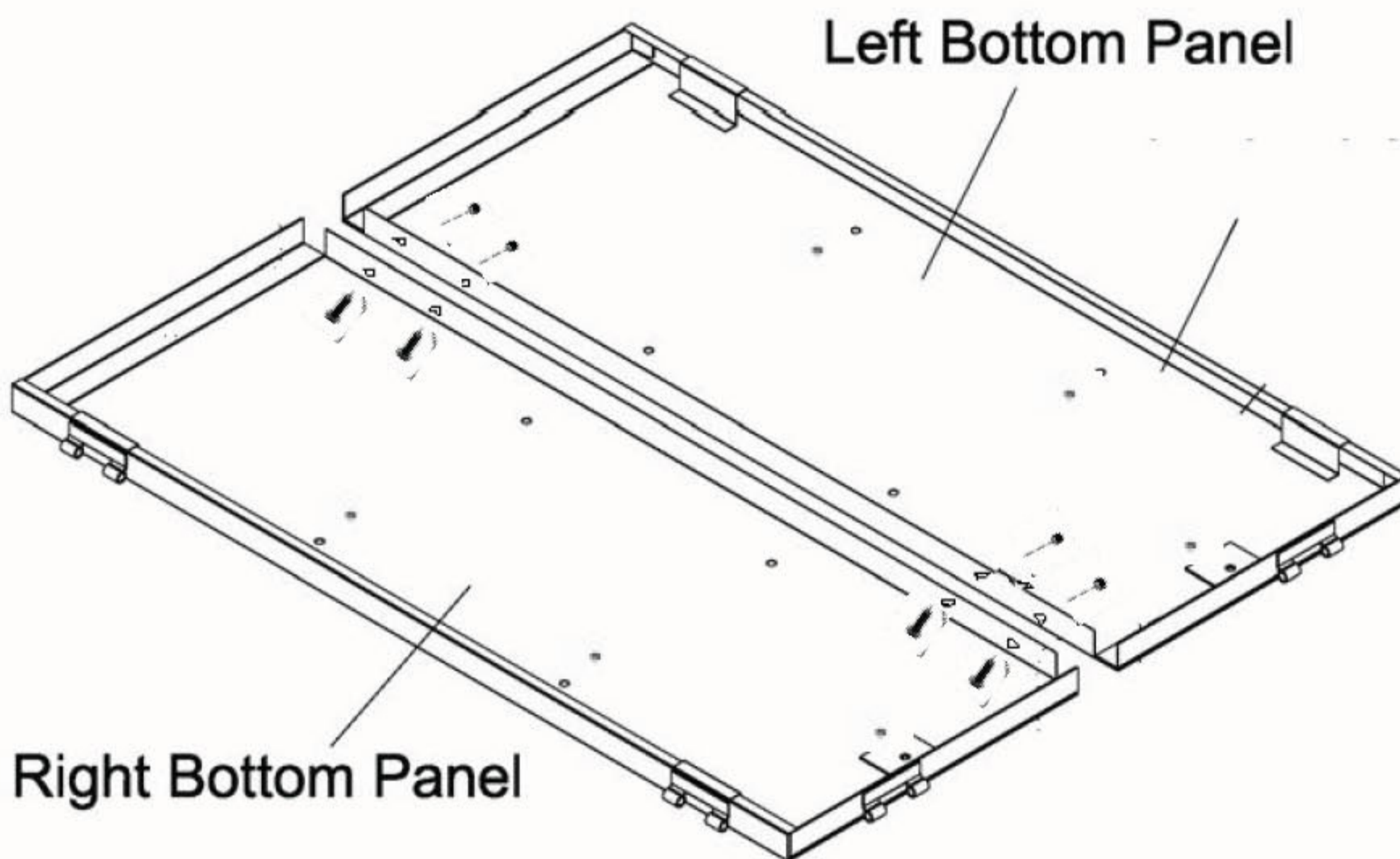
Nylon Lock Nut M8  
24pcs

***NOTE: You may have extra nuts & bolts when finished.***

# Assembly Instructions

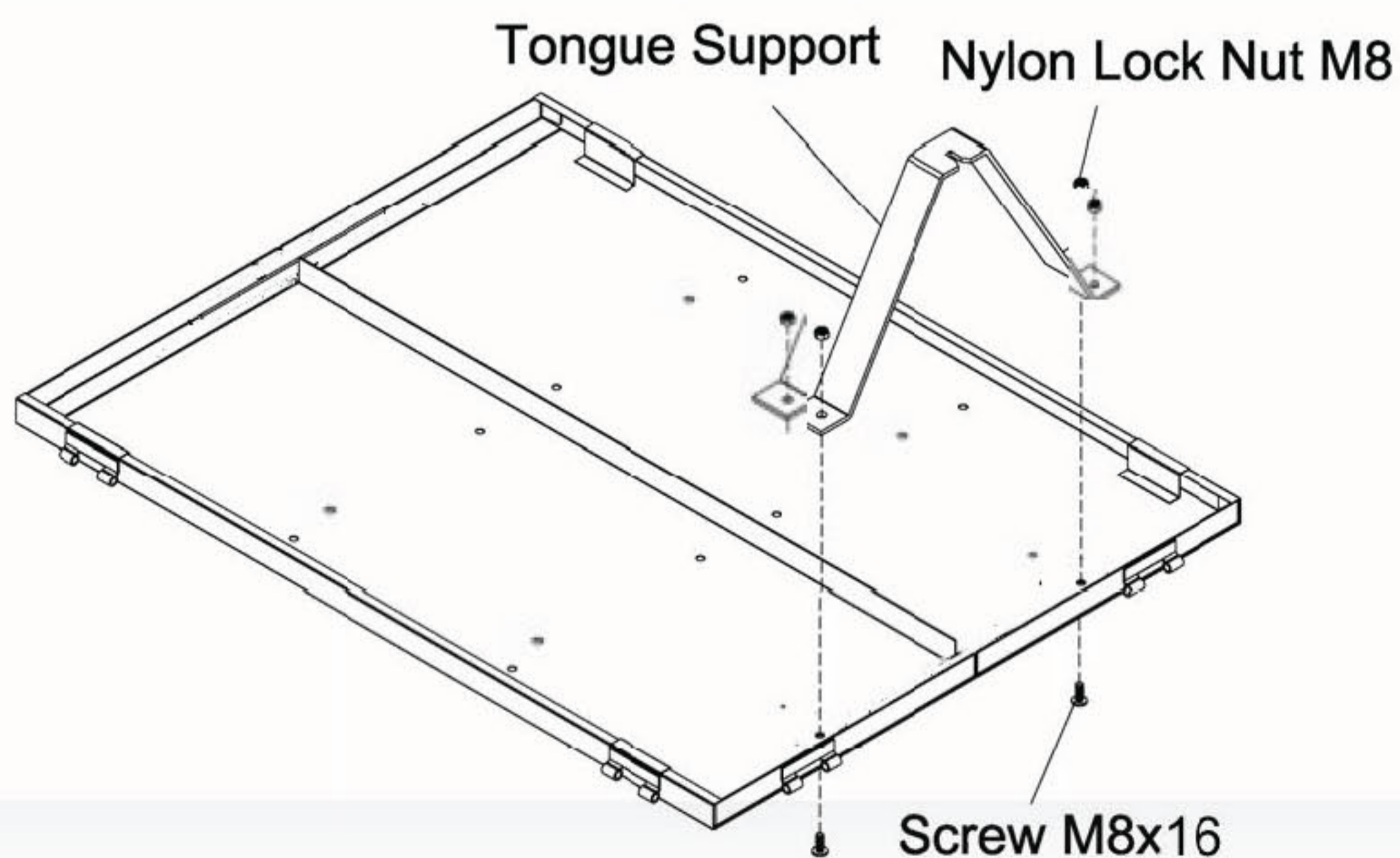
## STEP 1: Attach Bottom Panels and Support Tubes

1. Put the left bottom panel and right bottom panel together.
2. Attach the panel using eight sets of M8x16 Screws and M8 nylon lock nuts.



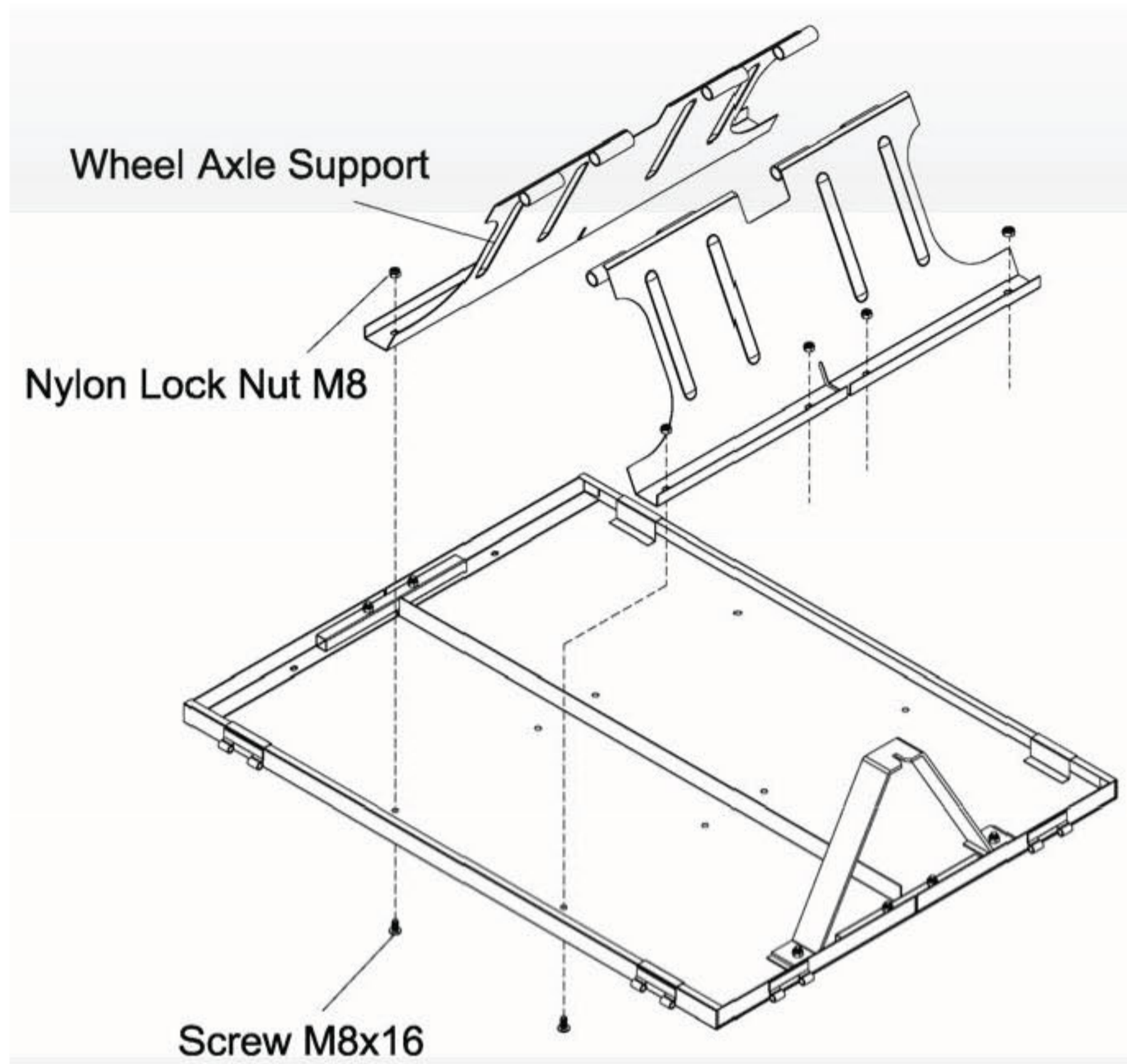
## STEP 2: Attach Tongue Support

1. Attach the tongue support to the bottom panels using four sets M8x16 screws and M8 nylon lock nuts.



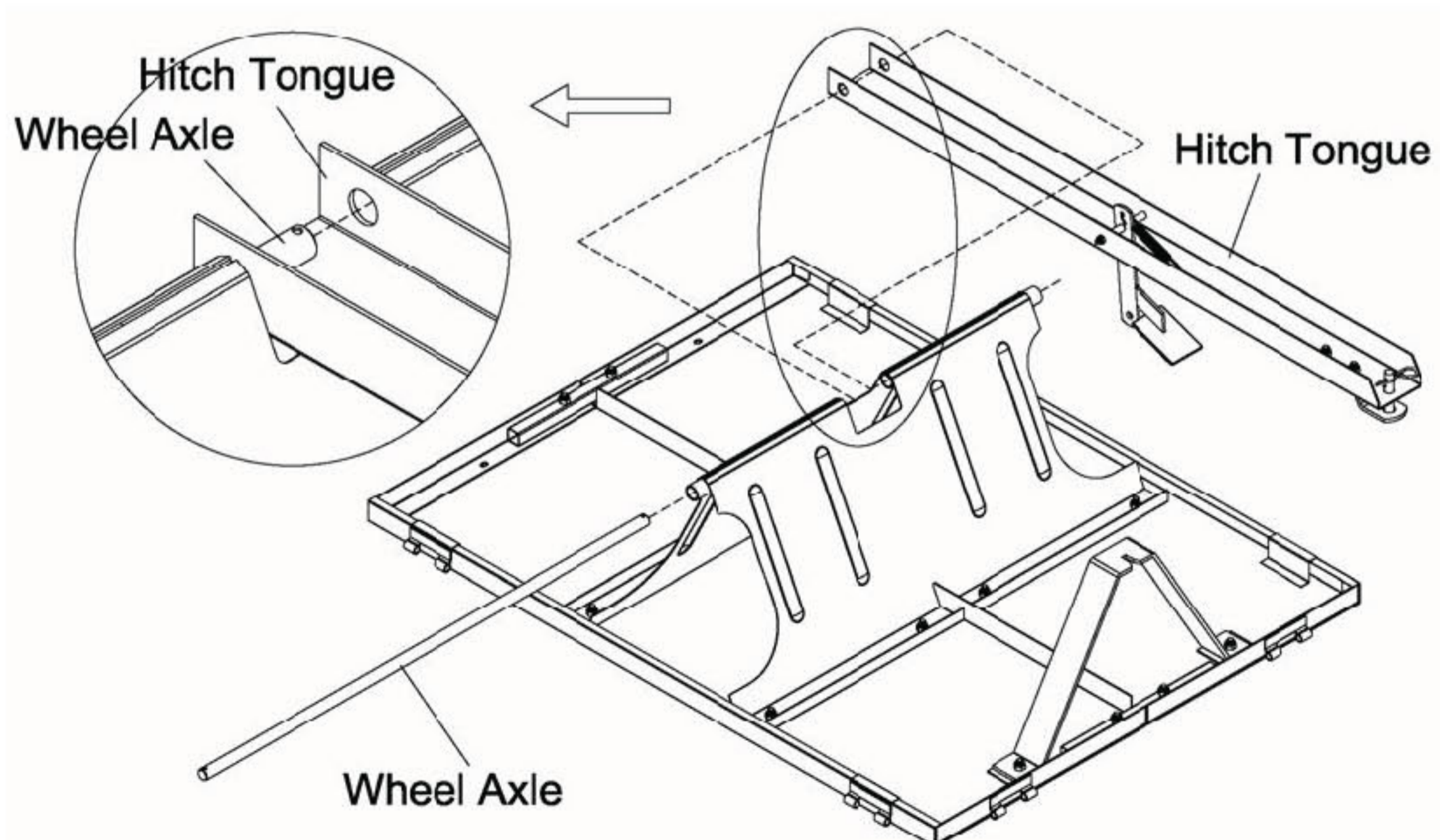
### STEP 3: Attach the Wheel Axle Support

1. Put together the two wheel axle supports and attached them to the bottom panels using eight sets of the M8x16 Screws and M8 nylon lock nuts. Loosely tighten the nuts.



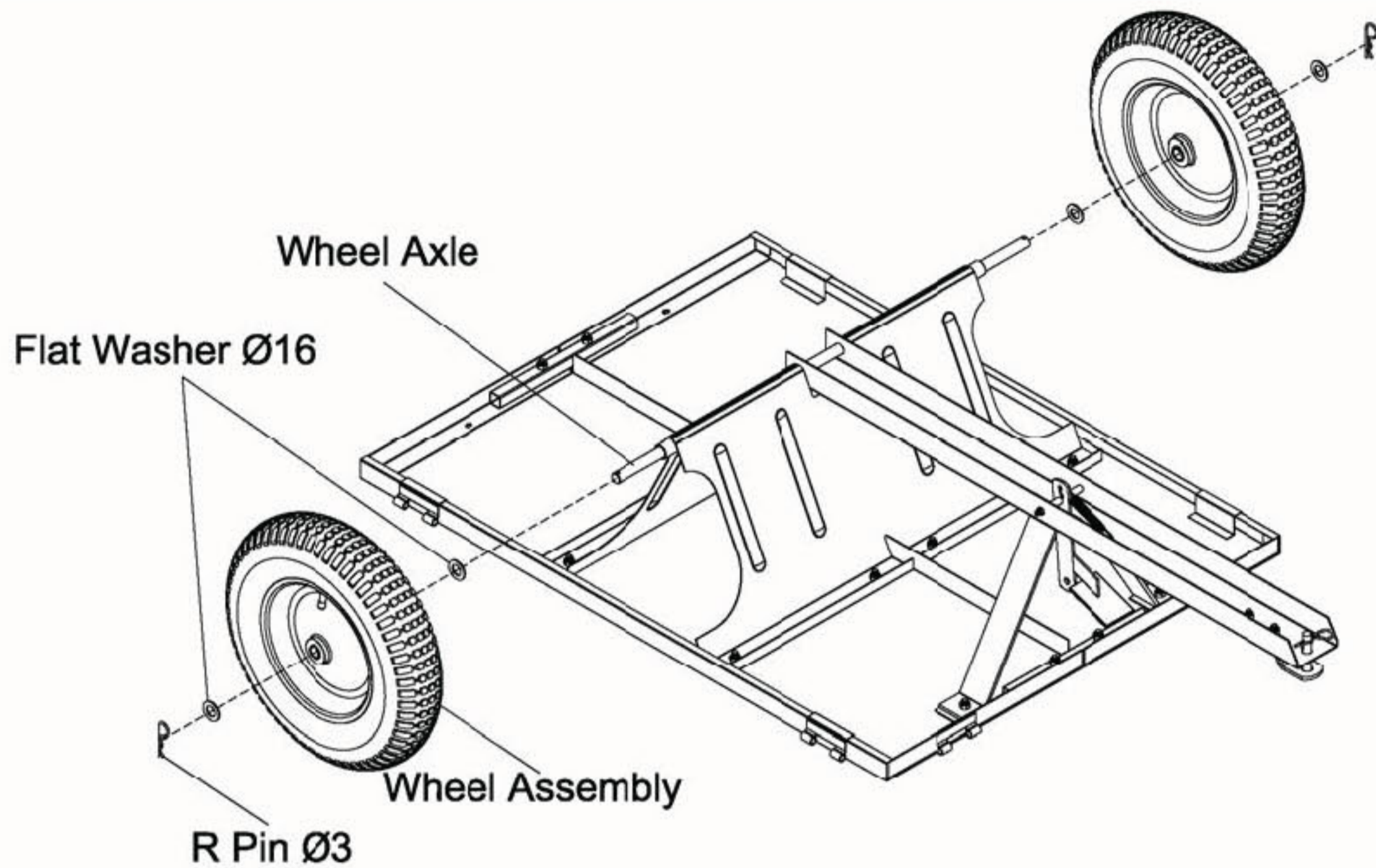
### STEP4: Attach Wheel Axle

1. Center the hitch tongue assembly in the wheel axle support.
2. Insert the axle through the hole and slide it through both the axle support and the hitch tongue assembly.
3. Tighten all hardware in steps 3.



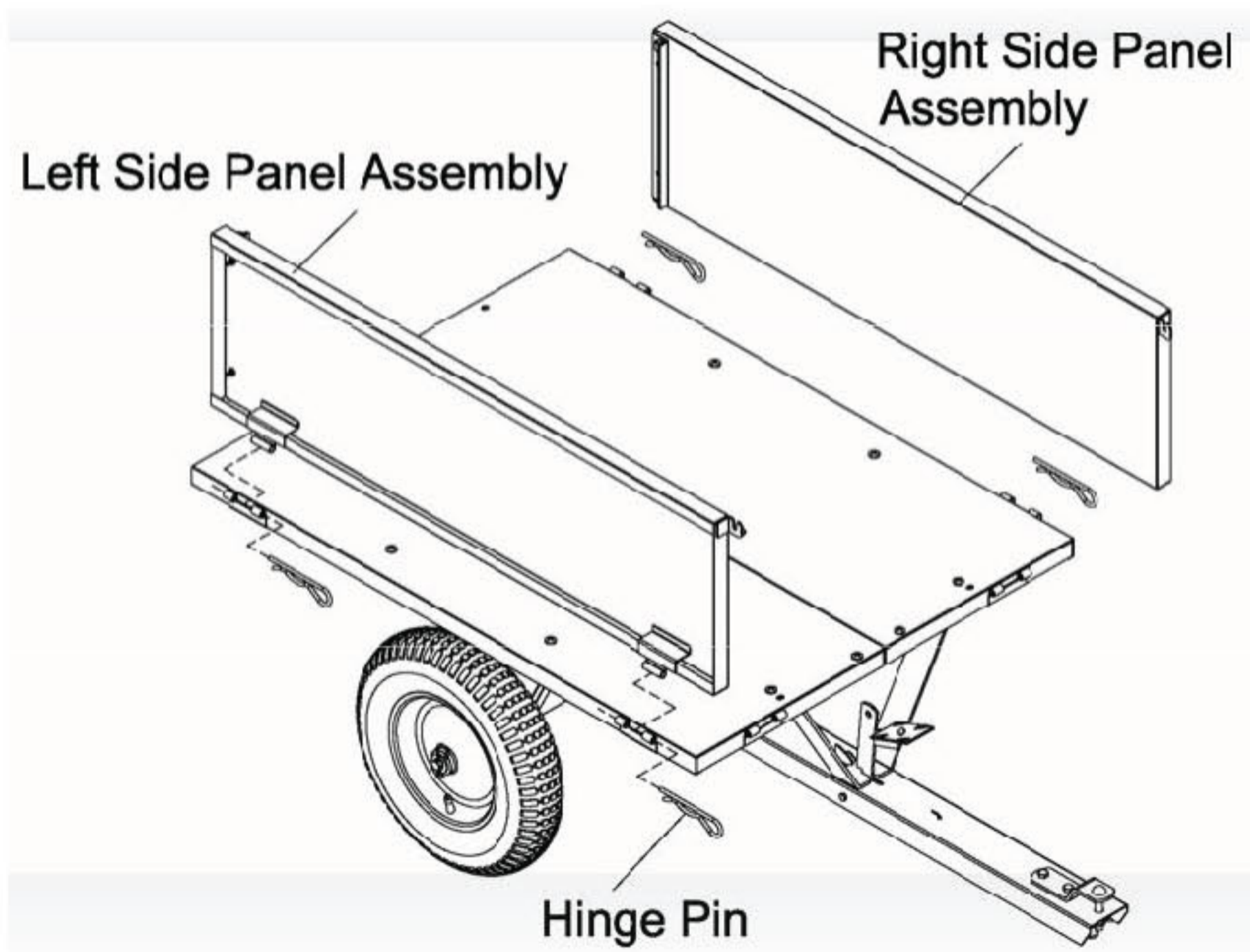
## STEP 5: Attach the Wheels

1. Put an  $\text{Ø}20$  flat washer on the axle; slide the wheel over the end, followed by the second  $\text{Ø}20$  flat washers and secure with  $\text{Ø}3$ R-pin.
2. Repeat the process for the other side of the axle.



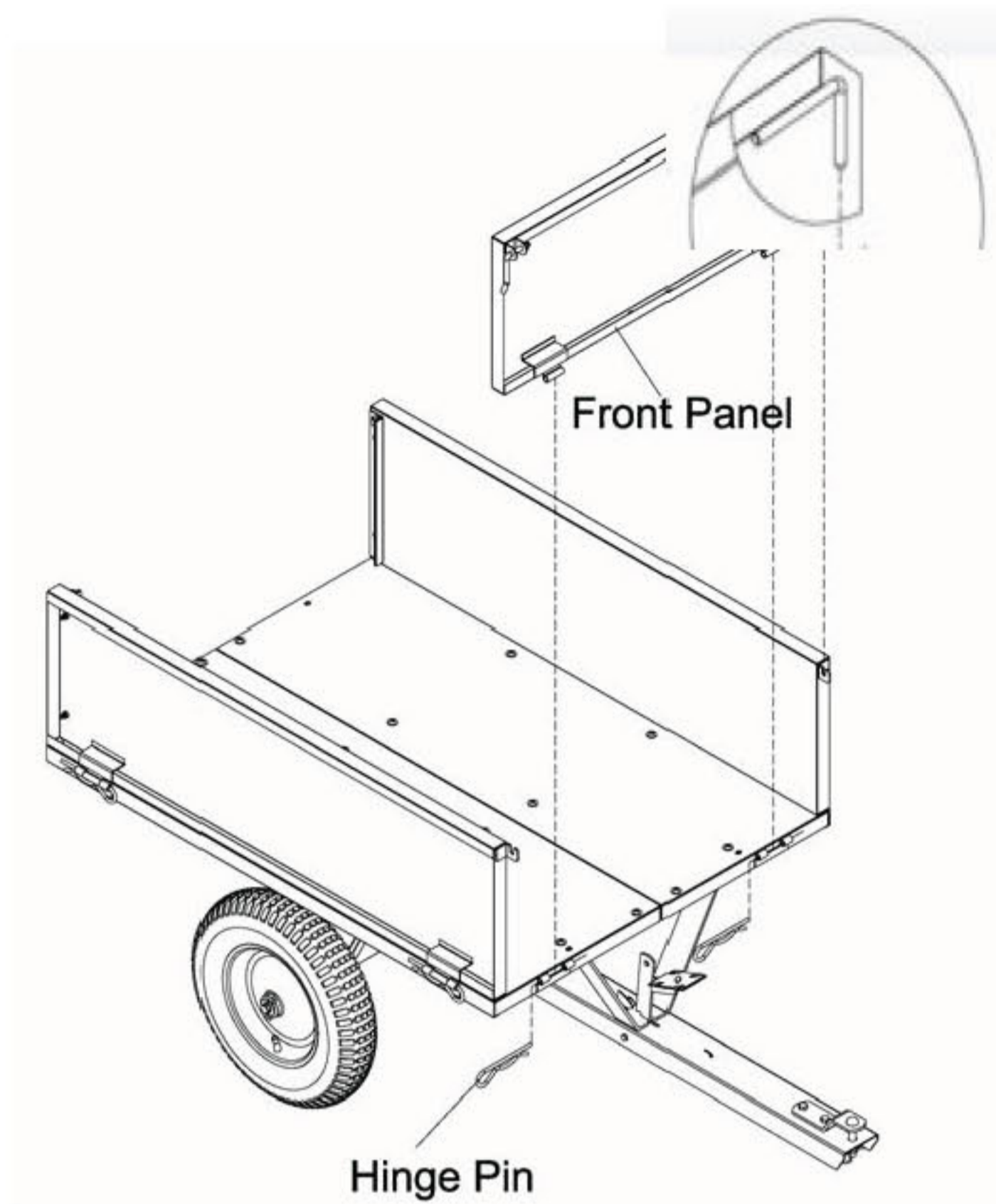
## STEP 6: Attach Side Panel

1. Attach the left and right sides panel assemblies to the bottom panel using the four hinge pins.



## STEP 7: Attach the Front Panel

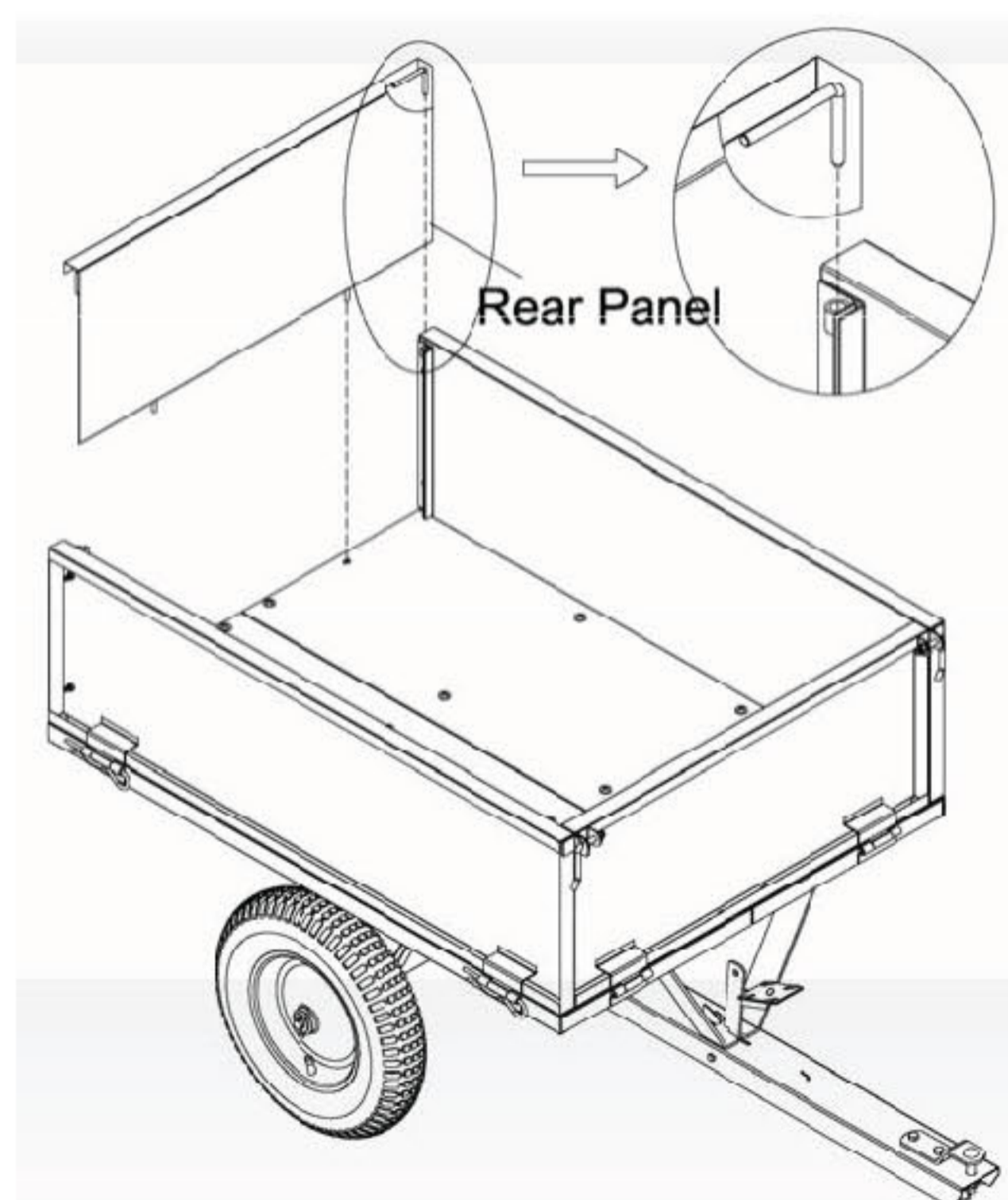
1. Attach the front panel to the bottom panel and secure using the using the two hinge pins.
2. Lock the left and right sides panel assemblies in place using the Lock Handle.



## STEP 8: Attach the Rear Panel

1. Slide the rear panel through the slots on the back side panels.

**NOTE:** The rear and front panel pins must go through the holes on the side panels to lock the panel in place.



## Specifications

Load Capacity .....	500lb (225kg)
Box and Frame Material.....	Steel
Inside Box Dimensions.....	40.55" × 27.56" × 13.78"
Overall Dimensions .....	64.57" × 31.49" × 31.49"
Axle Dimensions.....	0.73" × 31.18"
Wheel Size .....	16/4.00-8
Wheel Type.....	Pneumatic
Hitch Type .....	Pin Style